

RELIABLE PRODUCT INSPECTION IN WET AREAS

SC-WD 6000

The **SC-WD** product series leaves nothing to be desired in terms of process reliability and hygienic design. It meets protection class IP69K and is therefore especially suited for wet environments and extreme cleaning conditions. The C-shaped product space, bevelled surfaces and stainless steel housing fulfil even the most stringent hygiene requirements.

Easy installation and removal of the belt allows fast and thorough cleaning, thus maintaining the shortest cleaning cycles. In addition, a special surface treatment is optionally available to guarantee maximum hygiene. Both the X-ray scanner and the integrated water-water cooling unit meet protection class IP69K.

Like all machines of the SC series, all SC-WD models are equipped with an

HD-TDI camera detectors. In conjunction with the metal-ceramic tube, it generates extremely high-resolution X-ray images: a perfect basis for the image processing software developed in-house.

Foreign body detection, quantity, shape and filling checks, as well as other inspection tasks are performed reliably with the assistance of a large number of software tools (see p. 24–25). All WIPOTEC-OCS

X-ray scanners are equipped with an easy-to-operate user interface which is already well-established in the check-weigher division. The system is controlled by a large colour TFT with touchscreen that constantly displays the current X-ray images.



MAIN FEATURES

- ✔ Maximum modularity in construction
- ✔ C-shaped product space, balcony architecture
- ✔ Protection class IP69K
- ✔ Compact design
- ✔ Highest detection sensitivity

YOUR BENEFITS

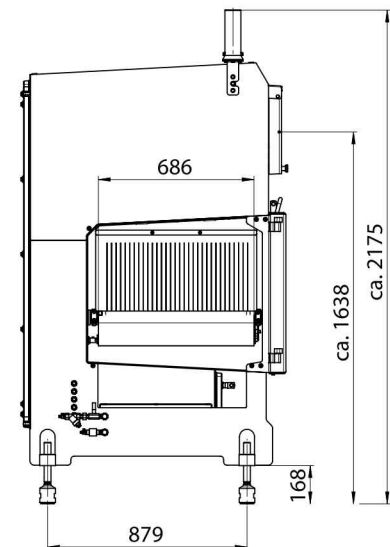
- ✔ Easy and thorough cleaning
- ✔ Fulfils highest hygiene requirements
- ✔ Maximum flexibility

TECHNICAL DATA

X-ray type	Metal-ceramic tube with integrated water cooling system or X-ray unit
X-ray output	up to 600 W, depending on type (infinitely variable)
X-ray sensor	Long-life VioX camera technology with 102 µm resolution or diode array technology, with 0.4 mm resolution
Scanning width	600 mm ¹⁾
Scanning speeds	up to 120 m/min
Product storage	100 products, expandable
Display	15" colour TFT with touchscreen
Working height	750–850/800–900/850–950 mm ²⁾
Hygienic design	Complete stainless steel model (1.4301); easy to clean product area, built-in drive technology
Ambient conditions	±0 °C to +40 °C
Protection class	IP69K
Power supply	400 VAC; 50–60 Hz; 3,5 kVA Connection with separate, 16 A fuse power line



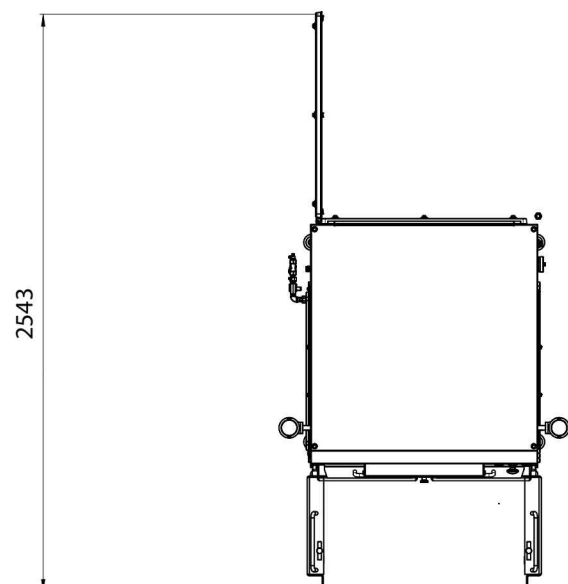
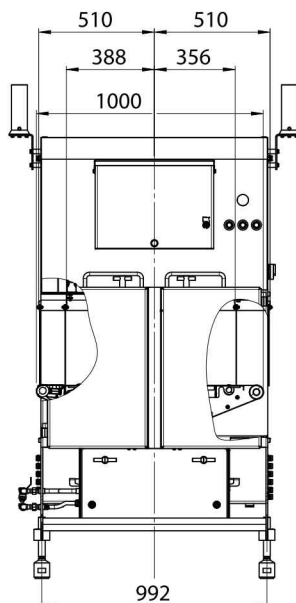
Covered operation panel for highest hygienic requirements



1) Wider models available by request
2) Other working heights by request



Other machine specifications
→ Technical Data Sheet



All entries in mm | Drawing shows sample version